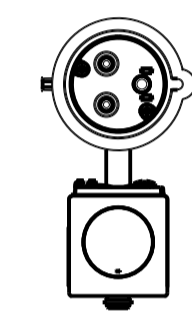
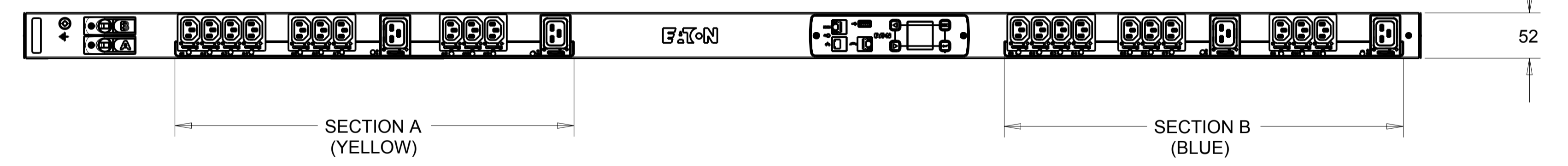
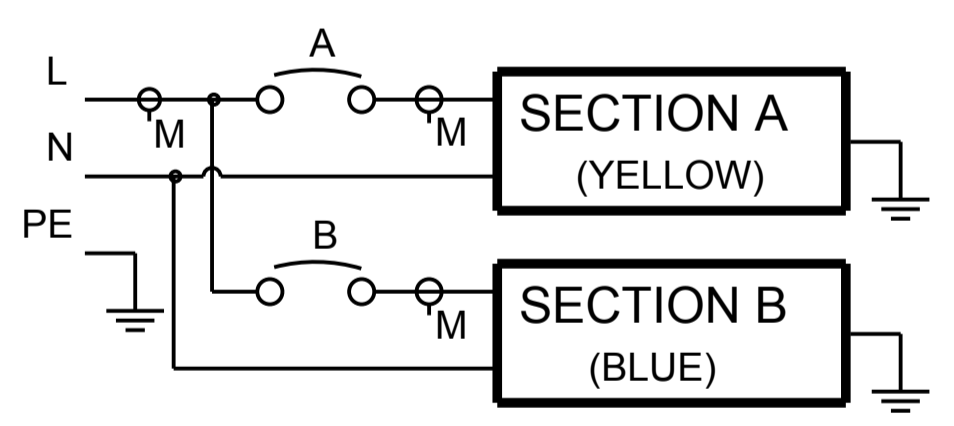


CABLE LENGTH SHOWN NOT TO SCALE

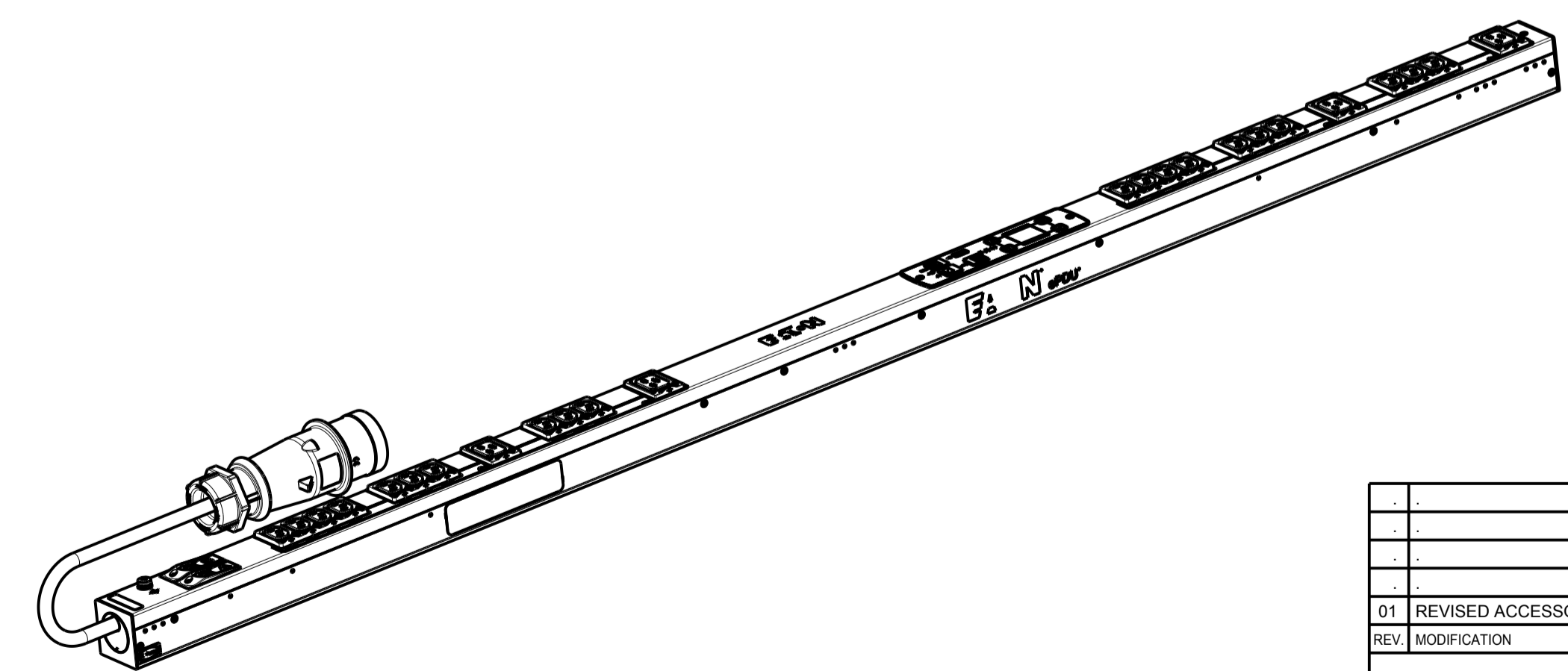


CIRCUIT SCHEMATIC



## EMAB05 G3 MANAGED

FUNCTIONALITY	INPUT	OUTPUT	ENVIRONMENTAL
CURRENT POWER AND ENERGY METERING FOR INPUT, BRANCH AND OUTLETS. INDIVIDUAL OUTLET CONTROL	IEC 60309-2 32A 230V~ W+N+PE 4.0MM HO7 POWER CORD CABLE LENGTH: 3.0M	(20) IEC 60320 C13 GRIP (4) IEC 60320 C19 GRIP	0 TO 60 °C
MECHANICAL	INPUT RATING	OUTPUT RATING	CERTIFICATIONS
LENGTH: 1604MM WIDTH: 52 MM DEPTH: 53MM ALUMINIUM CHASSIS, BLACK MNT PATTERN SK-23919-Y1	1Ø; 200-240V~;W+N+PE 50/60HZ 32A	200-240V~;50/60HZ 10A PER C13;16A PER C19 16A MAX PER SECTION 32A MAX TOTAL	CE, CB
CIRCUIT BREAKERS	FILTER AND SPIKE/SURGE	ACCESSORIES	CONFIGURATION
(2) 16A 1-POLE	NONE	STANDARD KSP015 - VERT INSTALLATION AND NETWORK PACK OPTIONAL EMP001 - ENVIRONMENTAL PROBE	EMA3CH8FBDD77AM



PICTORIAL VIEW  
SCALE 0.200

01 REVISED ACCESSORIES.		22.01.2015	G.McD.	M.B.
REV	MODIFICATION	DATE	DESIGNER	VERIF
<b>EATON</b>		HEINEMANN PRODUCTS		VUE/VIEW EUROPE: 1/4
CH-1345 LE LIEU SWITZERLAND		DESIGNEE / DRAWN THE 06.08.2014		N° MAG EMAB05
TRAITEMENT / FINISH NA		PAR / BY G.McD.		
MATERIE / MATERIAL NA		VERIFIE PAR / VERIFIED BY M.B.		
NIVEAU DU CERTIFICAT DE SOUMISSION REQUIS / SAMPLES APPROVAL PROCESS REPORT X		DIMENSIONS AND TOLERANCES IN MILLIMETERS		
DESIGNATION	EPDU MA 0U (309 32A 1P)20XC13:4XC19	SK-38719-Y1	01	
COTES A CONTROLER / INSPECTION DIMENSIONS	XX.XX	COTES FONCTIONNELLES / FUNCTIONAL DIMENSIONS	# XX.XX	NUMERO DU PLAN / PLAN NUMBER
Ce document est propriété de Eaton Industries Manufacturing GmbH. Duplication interdite sans autorisation. This document is Eaton Industries Manufacturing GmbH property. Duplication forbidden without authorization.				