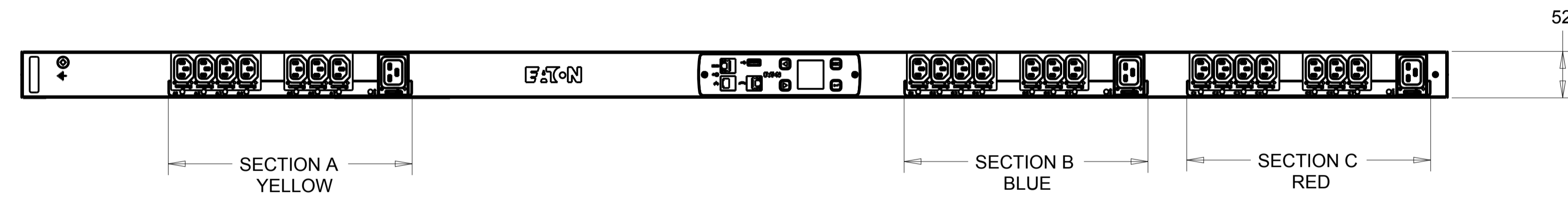
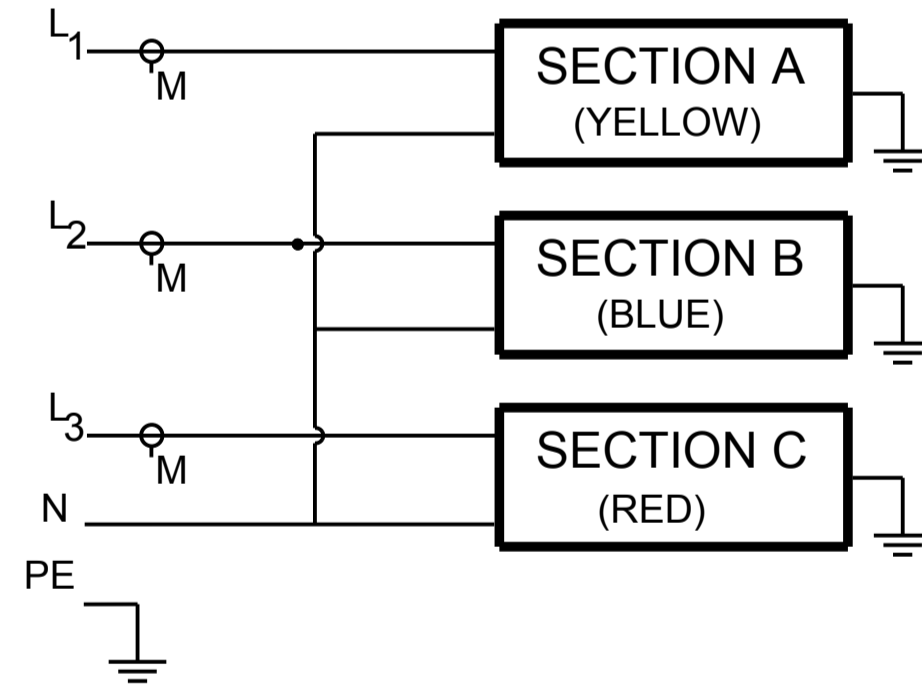


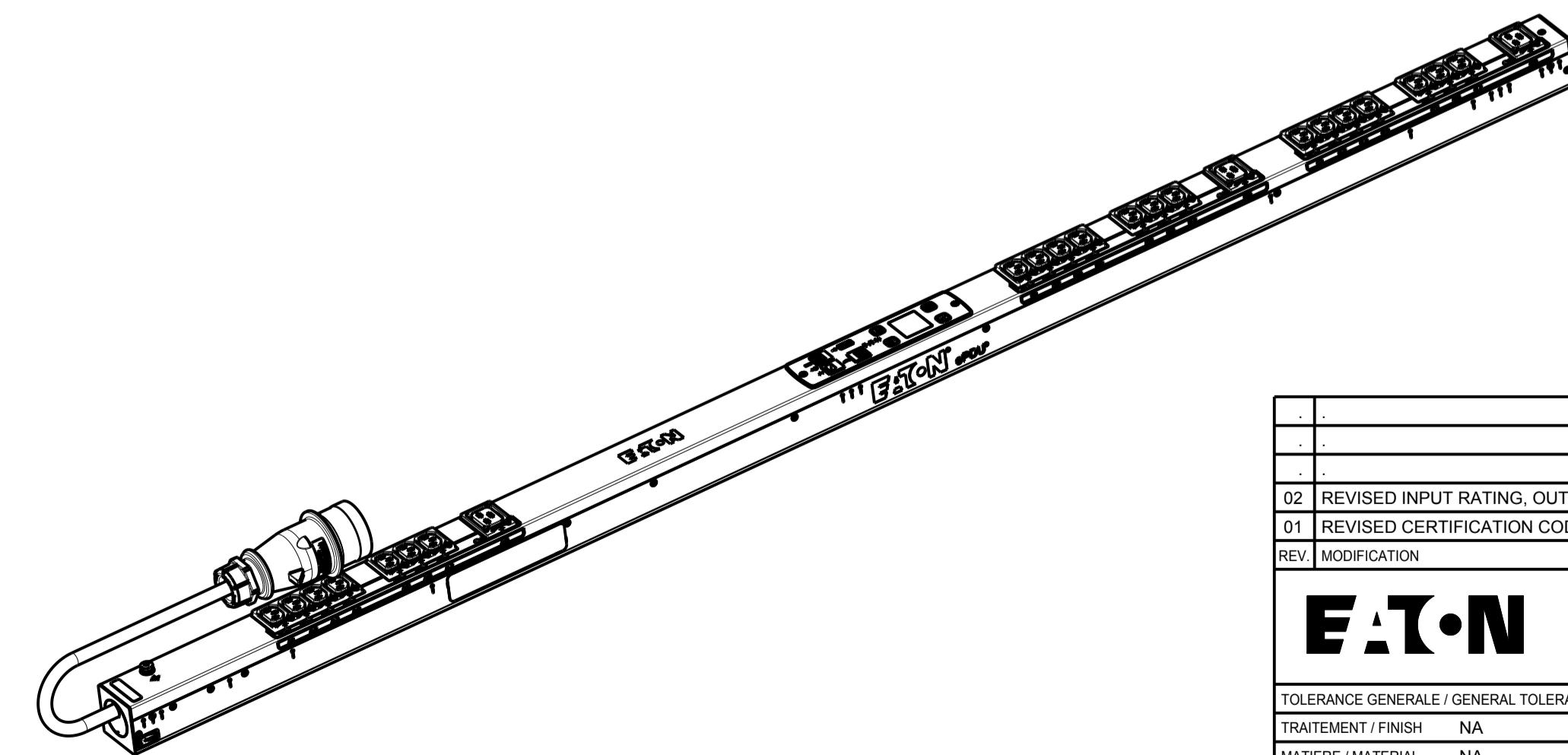
CABLE LENGTH SHOWN NOT TO SCALE

CIRCUIT SCHEMATIC



## EMAB20 G3 MANAGED

FUNCTIONALITY	INPUT	OUTPUT	ENVIRONMENTAL
CURRENT POWER AND ENERGY METERING FOR INPUT, BRANCH AND OUTLETS. INDIVIDUAL OUTLET CONTROL	IEC 60309-2 16A 230/400V 3P+N+E 1.5MM HO7 POWER CORD CABLE LENGTH: 3.0M	(21) IEC 60320 C13 GRIP (3) IEC 60320 C19 GRIP	0 TO 60 °C
MECHANICAL	INPUT RATING	OUTPUT RATING	CERTIFICATIONS
LENGTH: 1604MM WIDTH: 52 MM DEPTH: 53MM ALUMINIUM CHASSIS, BLACK MNT PATTERN SK-23919-Y1	3Ø;346-415V~; WYE, 3W+N+PE 50/60HZ 16A	200-240V~;50/60HZ 10A PER C13;16A PER C19 16A MAX PER SECTION 16A MAX TOTAL	CE, CB
CIRCUIT BREAKERS	FILTER AND SPIKE/SURGE	ACCESSORIES	CONFIGURATION
NONE	NONE	STANDARD KSP015 - VERT INSTALLATION AND NETWORK PACK OPTIONAL EMP001 - ENVIRONMENTAL PROBE	EMA3DA8FAGE77CM



SCALE 0.188

02 REVISED INPUT RATING, OUTPUT RATING AND CERTIFICATION CODE...		22.01.2015	G.McD.	M.B.
01 REVISED CERTIFICATION CODE AND ACCESSORIES.		29.10.2014	G.McD.	M.B.
REV	MODIFICATION	DATE	DESIGNER	VERIF
<b>EATON</b>		HEINEMANN PRODUCTS		VUE/VIEW EUROPE: 4/10
CH-1345 LE LIEU SWITZERLAND		DESIGNEE LE / DRAWED THE 11.08.2014		N° MAG EMAB20
TRAITEMENT / FINISH NA		PAR / BY G.McD.		VERIFIE PAR / VERIFIED BY M.B.
MATERIE / MATERIAL NA		NIVEAU DU CERTIFICAT DE SOUMISSION REQUIS / SAMPLES APPROVAL PROCESS REPORT X DIMENSIONS AND TOLERANCES IN MILLIMETERS		
DESIGNATION EPDU MA 0U (309 16A 3P)21XC13:3XC19		SK-39419-Y1		02
COTES A CONTROLER / INSPECTION DIMENSIONS XX.XX		COTES FONCTIONNELLES / FUNCTIONAL DIMENSIONS # XX.XX		NUMERO DU PLAN / PLAN NUMBER
Ce document est propriété de Eaton Industries Manufacturing GmbH. Duplication interdite sans autorisation. This document is Eaton Industries Manufacturing GmbH property. Duplication forbidden without authorization.				