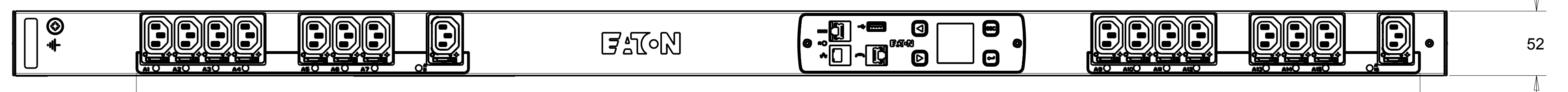
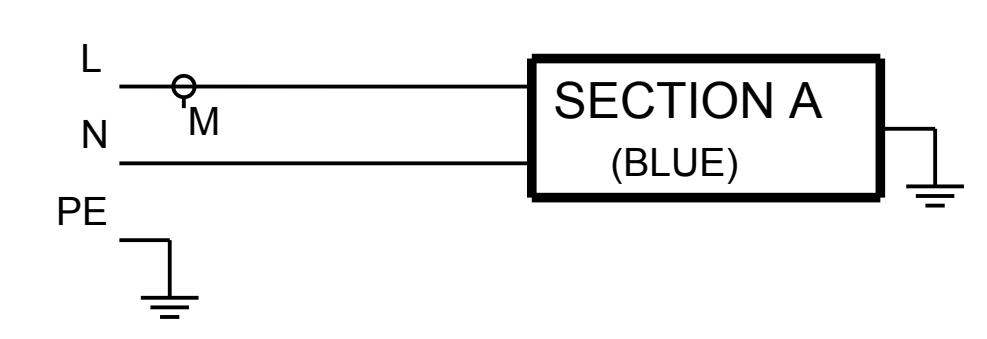


CABLE LENGTH SHOWN NOT TO SCALE



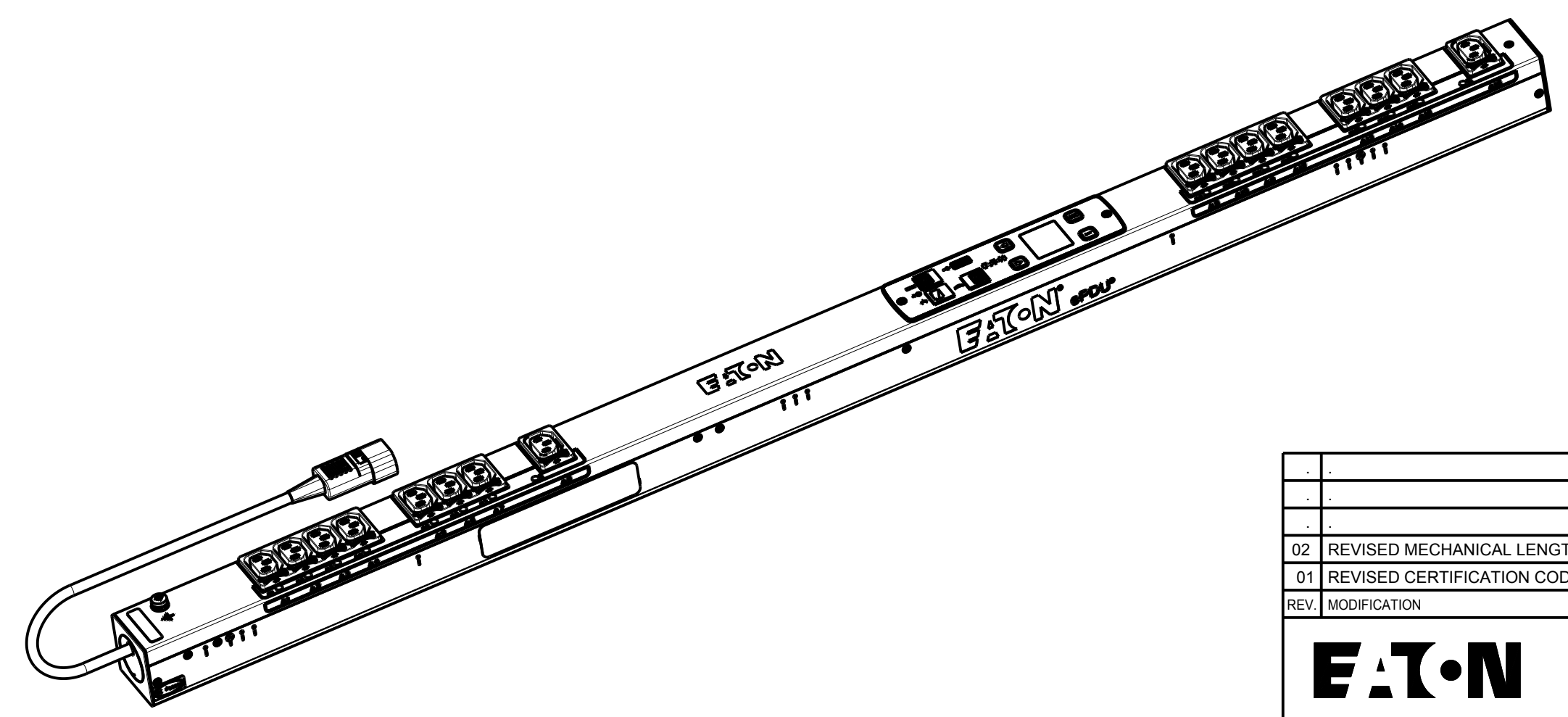
SECTION A
BLUE

CIRCUIT SCHEMATIC



EMAB03 G3 MANAGED

FUNCTIONALITY	INPUT	OUTPUT	ENVIRONMENTAL
CURRENT POWER AND ENERGY METERING FOR INPUT, BRANCH AND OUTLETS. INDIVIDUAL OUTLET CONTROL	IEC 60309 C14 10A 230V~ W+N+PE 1.5MM HO5 POWER CORD CABLE LENGTH: 3.0 M	(16) IEC 60320 C13 GRIP	0 TO 60° C
MECHANICAL	INPUT RATING	OUTPUT RATING	CERTIFICATIONS
LENGTH: 1154MM WIDTH: 52 MM DEPTH: 53MM ALUMINIUM CHASSIS, BLACK MNT PATTERN SK-23919-Y1	1Ø; 200-240V~; W+N+PE 50/60HZ 10A	200-240V, 10A PER C13 10A MAX PER SECTION	CE, CB
CIRCUIT BREAKERS	FILTER AND SPIKE/SURGE	ACCESSORIES	CONFIGURATION
NONE	NONE	STANDARD KSP015 - VERT INSTALL NETWORK PACK OPTIONAL EMP001 - ENVIRONMENTAL PROBE	EMA3CP7FABE76AM



SCALE 0.250

02	REVISED MECHANICAL LENGTH.	22.0.2015	G.McD.	M.B.
01	REVISED CERTIFICATION CODE.	31.10.2014	G.McD.	M.B.
REV	MODIFICATION	DATE	DESIGNER	VERIF.
		HEINEMANN PRODUCTS		VUE/VIEW EUROPE: 4/10
		CH-1345 LE LIEU SWITZERLAND		N° MAG: EMAB03
TRAITEMENT / FINISH: NA		VERIFIE PAR / VERIFIED BY: M.B.		DESSINE LE / DRAWN THE: 22.08.2014
MATIERE / MATERIAL: NA				PAR / BY: G.McD.
NIVEAU DU CERTIFICAT DE SOUMISSION REQUIS / SAMPLES APPROVAL PROCESS REPORT: X		DIMENSIONS AND TOLERANCES IN MILLIMETERS		
DESIGNATION: EPDU MA 0U (C14 10A 1P)16XC13		SK-41219-Y1		02
COTES A CONTROLER / INSPECTION DIMENSIONS: XX.XX		COTES FONCTIONNELLES / FUNCTIONAL DIMENSIONS: # XX.XX		NUMERO DU PLAN / PLAN NUMBER
<small>Ce document est propriété de Eaton Industries Manufacturing GmbH. Duplication interdite sans autorisation. This document is Eaton Industries Manufacturing GmbH property. Duplication forbidden without authorization.</small>				