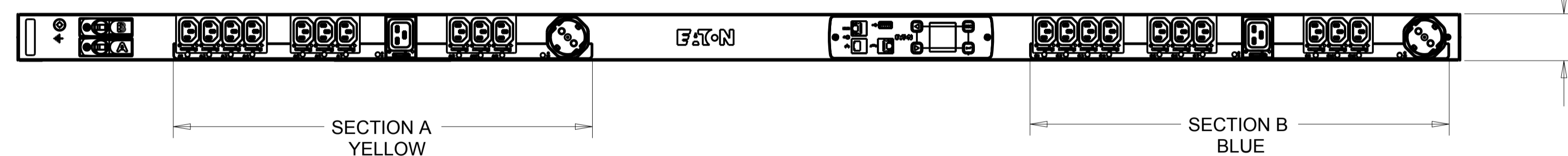
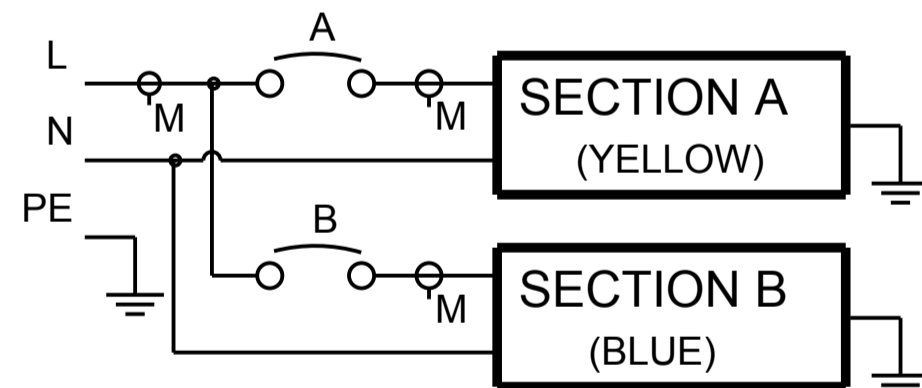


CABLE LENGTH SHOWN NOT TO SCALE

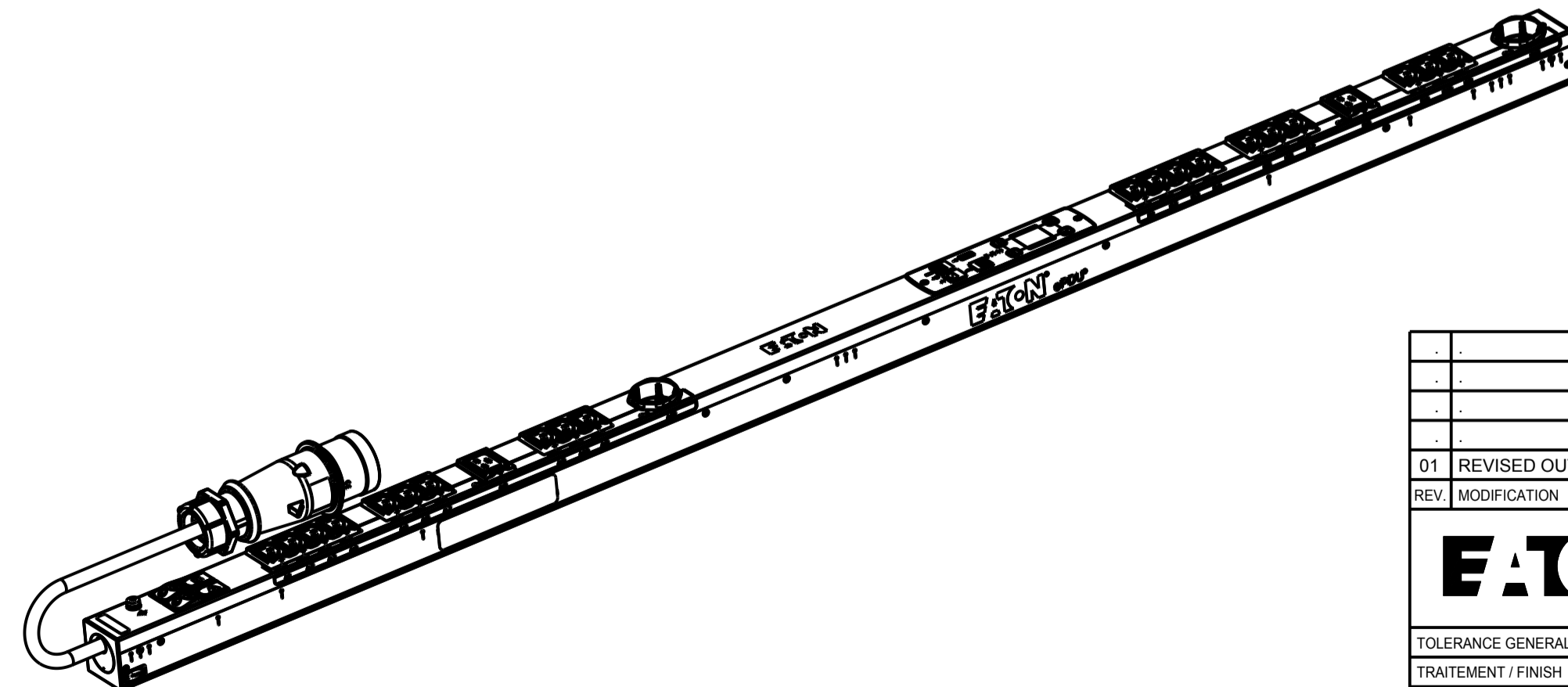


CIRCUIT SCHEMATIC



EMAB18 G3 MANAGED

| FUNCTIONALITY | INPUT | OUTPUT | ENVIRONMENTAL |
|--|--|---|-----------------|
| CURRENT POWER AND ENERGY METERING FOR INPUT, BRANCH AND OUTLETS. INDIVIDUAL OUTLET CONTROL | IEC 60309-2 32A 230V~ W+N+PE 4.0MM HO7 POWER CORD CABLE LENGTH: 3.0M | (20) IEC 60320 C13 GRIP (2) IEC 60320 C19 GRIP (2) CEE 7/5 GE | 0 TO 60 °C |
| MECHANICAL | INPUT RATING | OUTPUT RATING | CERTIFICATIONS |
| LENGTH: 1604MM WIDTH: 52 MM DEPTH: 53MM ALUMINIUM CHASSIS, BLACK MNT PATTERN SK-23919-Y1 | 1Ø; 200-240V~;W+N+PE 50/60HZ 32A | 200-240V~;50/60HZ 10A PER C13;16A PER C19 16A PER CEE 7/4 GE OUTLET 16A MAX PER SECTION 32A MAX TOTAL | CE, CB |
| CIRCUIT BREAKERS | FILTER AND SPIKE/SURGE | ACCESSORIES | CONFIGURATION |
| (2) 16A 1-POLE | NONE | STANDARD KSP015 - VERT INSTALL NETWORK PACK OPTIONAL EMP001 - ENVIRONMENTAL PROBE | EMA3CH8FBQC77AM |



SCALE 0.188

| | | | | |
|---|--------------|---|----------|--|
| 01 REVISED OUTPUT RATING. | | 22.01.2015 | G.McD. | M.B. |
| REV | MODIFICATION | DATE | DESIGNER | VERIF. |
| EATON | | HEINEMANN PRODUCTS | | VUE/VIEW EUROPE: 4/10 |
| CH-1345 LE LIEU SWITZERLAND | | DESSEINÉ / DRAWN THE 12.08.2014 | | N° MAG EMAB18 |
| TRAITEMENT / FINISH NA | | PAR / BY G.McD. | | VERIFIE PAR / VERIFIED BY M.B. |
| MATERIE / MATERIAL NA | | NIVEAU DU CERTIFICAT DE SOUMISSION REQUIS / SAMPLES APPROVAL PROCESS REPORT X | | DIMENSIONS AND TOLERANCES IN MILLIMETERS |
| DESIGNATION EPDU MA 0U (309 32A 1P)20XC13:2XC19:2XGE | | SK-42219-Y1 | | 01 |
| COTES A CONTROLER / INSPECTION DIMENSIONS XX.XX | | COTES FONCTIONNELLES / FUNCTIONAL DIMENSIONS # XX.XX | | NUMERO DU PLAN / PLAN NUMBER |
| Ce document est propriété de Eaton Industries Manufacturing GmbH. Duplication interdite sans autorisation. This document is Eaton Industries Manufacturing GmbH property. Duplication forbidden without authorization. | | | | |