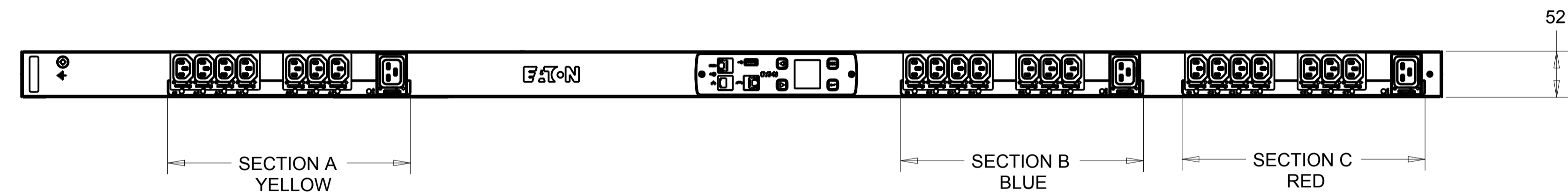
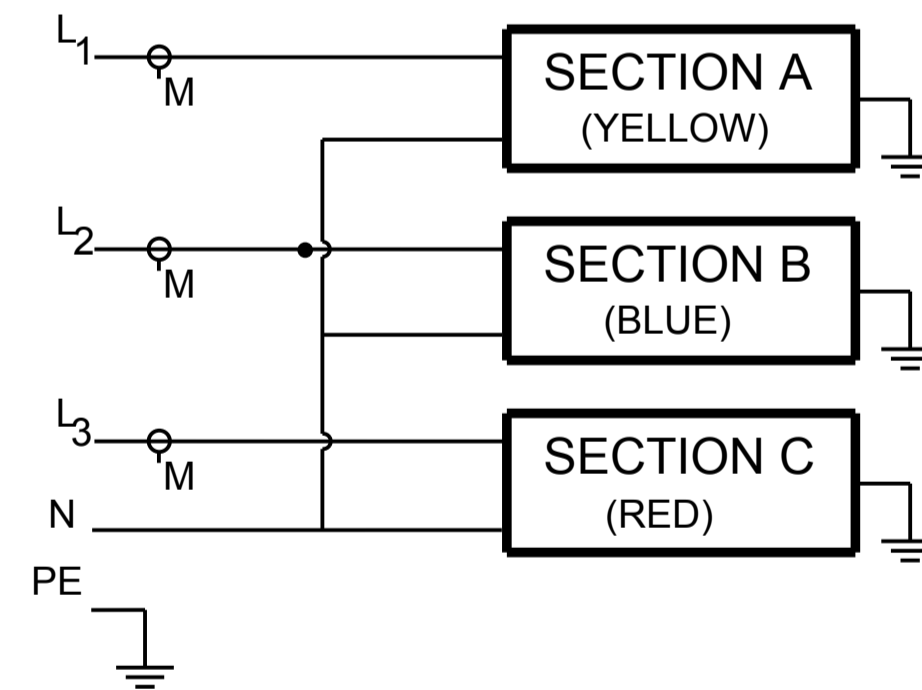


CABLE LENGTH SHOWN NOT TO SCALE

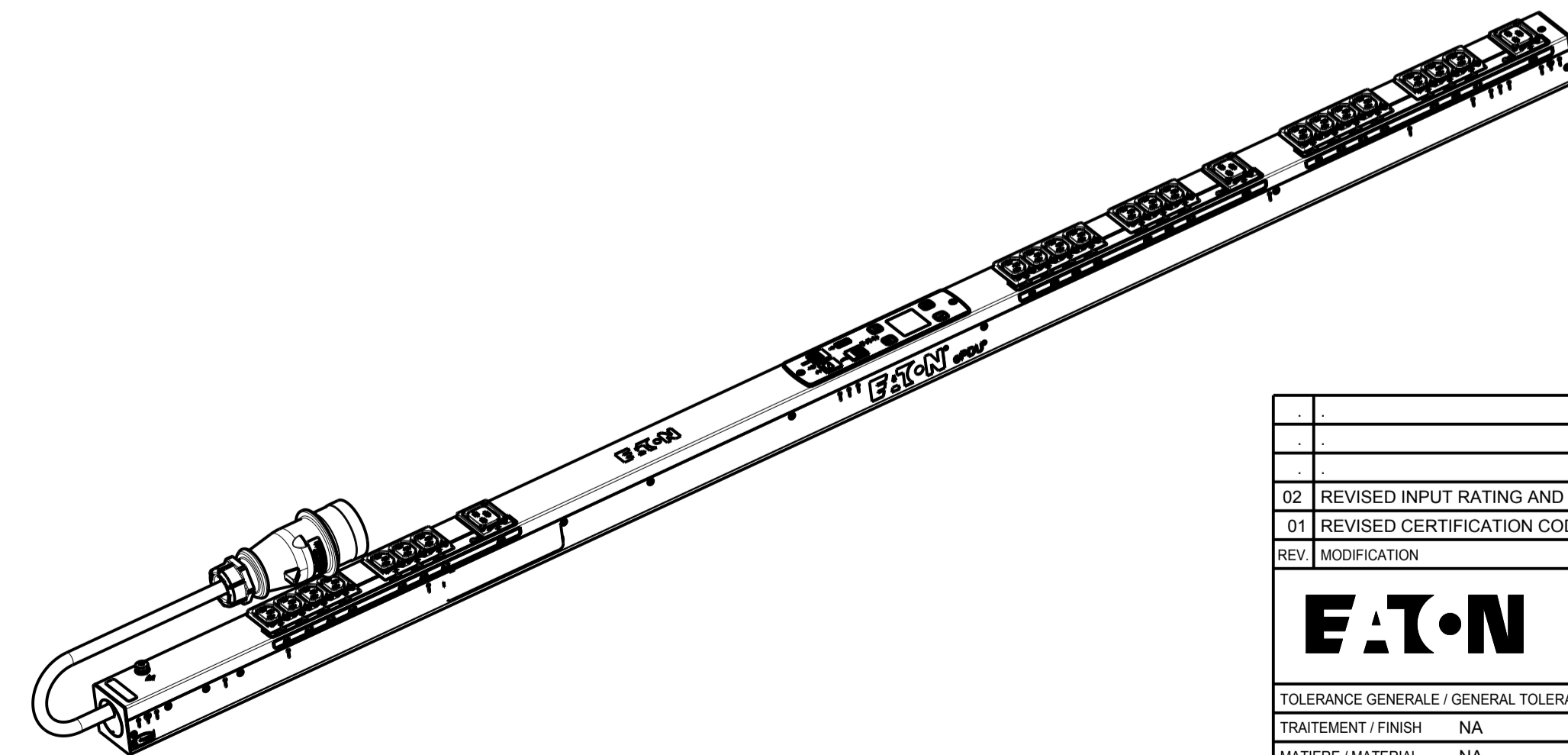


CIRCUIT SCHEMATIC



ESWB20 G3 SWITCHED

FUNCTIONALITY	INPUT	OUTPUT	ENVIRONMENTAL
CURRENT POWER AND ENERGY METERING FOR INPUT AND BRANCH. INDIVIDUAL OUTLET CONTROL	IEC 60309-2 16A 230/400V 3P+N+E 1.5MM HO7 POWER CORD CABLE LENGTH: 3.0M	(21) IEC 60320 C13 GRIP (3) IEC 60320 C19 GRIP	0 TO 60 °C
MECHANICAL	INPUT RATING	OUTPUT RATING	CERTIFICATIONS
LENGTH: 1604MM WIDTH: 52 MM DEPTH: 53MM ALUMINIUM CHASSIS, BLACK MNT PATTERN SK-23919-Y1	3Ø;346-415V~; WYE, 3W+N+PE 50/60HZ 16A	200-240V~;50/60HZ 10A PER C13;16A PER C19 16A MAX PER SECTION 16A MAX TOTAL	CE, CB
CIRCUIT BREAKERS	FILTER AND SPIKE/SURGE	ACCESSORIES	CONFIGURATION
NONE	NONE	STANDARD KSP015 - VERT INSTALL NETWORK PACK OPTIONAL EMP001 - ENVIRONMENTAL PROBE	ESW3DA8FAGE77CM



SCALE 0.188

02 REVISED INPUT RATING AND OUTPUT RATING.		22.01.2015	G.McD.	M.B.
01 REVISED CERTIFICATION CODE.		29.10.2014	G.McD.	M.B.
REV	MODIFICATION	DATE	DESIGNER	VERIF
EATON		HEINEMANN PRODUCTS		VUE/VIEW EUROPE: 4/10
CH-1345 LE LIEU SWITZERLAND		DESIGNEE LE / DRAWED THE		N° MAG ESWB20
TRAITEMENT / FINISH NA		PAR / BY G.McD.		11.08.2014
MATERIE / MATERIAL NA		VERIFIE PAR / VERIFIED BY		M.B.
NIVEAU DU CERTIFICAT DE SOUMISSION REQUIS / SAMPLES APPROVAL PROCESS REPORT		X	DIMENSIONS AND TOLERANCES IN MILLIMETERS	
DESIGNATION EPDU SW 0U (309 16A 3P)21XC13:3XC19		SK-43219-Y1		02
COTES A CONTROLER / INSPECTION DIMENSIONS		XX.XX	NUMERO DU PLAN / PLAN NUMBER	
COTES FONCTIONNELLES / FUNCTIONAL DIMENSIONS		# XX.XX	REV.	
Ce document est propriété de Eaton Industries Manufacturing GmbH. Duplication interdite sans autorisation. This document is Eaton Industries Manufacturing GmbH property. Duplication forbidden without authorization.				