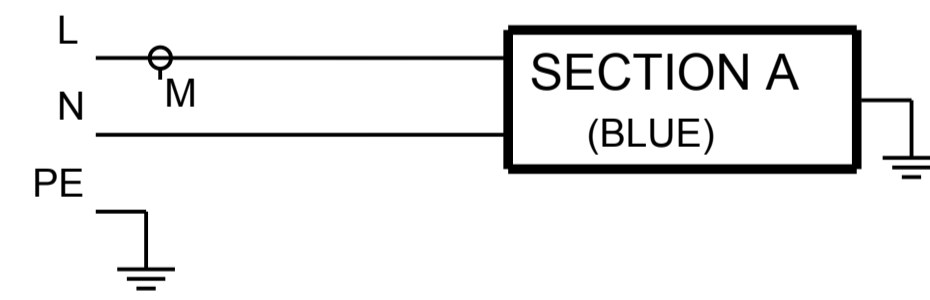


CABLE LENGTH SHOWN NOT TO SCALE



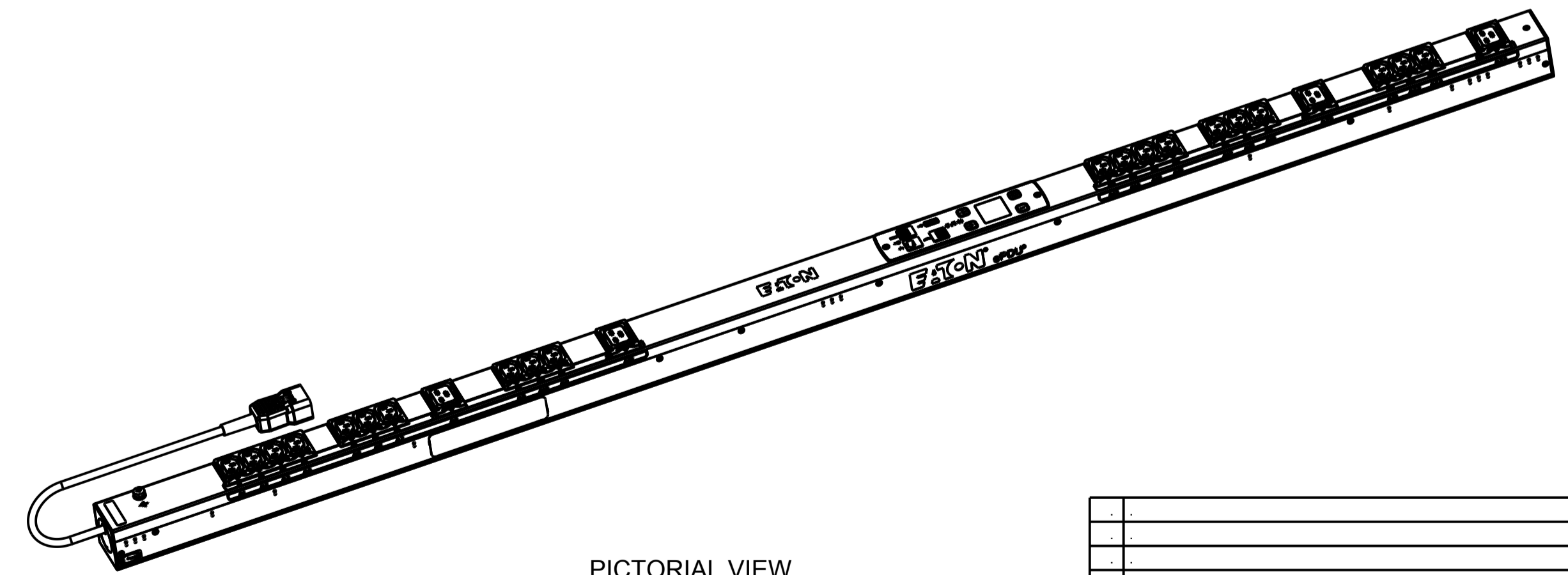
SECTION A
BLUE

CIRCUIT SCHEMATIC



EMOB22 G3 METERED OUTLETS

| FUNCTIONALITY | INPUT | OUTPUT | ENVIRONMENTAL |
|--|---|--|-----------------|
| CURRENT POWER AND ENERGY METERING FOR INPUT, BRANCH AND OUTLETS. | IEC 60309 C20 16A 230V~ W+N+PE 1.5MM HO5 POWER CORD CABLE LENGTH: 3.0 M | (20) IEC 60320 C13 GRIP (4) IEC 60320 C19 GRIP | 0 TO 60 ° C |
| MECHANICAL | INPUT RATING | OUTPUT RATING | CERTIFICATIONS |
| LENGTH: 1604MM WIDTH: 52 MM DEPTH: 53MM ALUMINIUM CHASSIS, BLACK MNT PATTERN SK-23919-Y1 | 1Ø; 200-240V~;W+N+PE 50/60HZ 16A | 200-240V~;50/60HZ 10A PER C13;16A PER C19 16A MAX TOTAL | CE, CB |
| CIRCUIT BREAKERS | FILTER AND SPIKE/SURGE | ACCESSORIES | CONFIGURATION |
| NONE | NONE | STANDARD KSP015 - VERT INSTALL NETWORK PACK OPTIONAL EMP001 - ENVIRONMENTAL PROBE | EMO6CX7FABH77AM |



PICTORIAL VIEW
REFERENCE ONLY
SCALE 0.200

| REV | MODIFICATION | DATE | DESIGN | VERIF |
|---|--------------|---|--|---|
| 1 | | | | |
| | | HEINEMANN PRODUCTS | | VUE/VIEW: EUROPE ECHELLE / SCALE: 4/10 N° MAG: EMOB22 |
| | | CH-1345 LE LIEU SWITZERLAND | | DESSINE LE / DRAWN THE: 25.08.2014 PAR / BY: G.McD. VERIFIE PAR / VERIFIED BY: M.B. |
| TOLERANCE GENERALE / GENERAL TOLERANCE | | | | |
| TRAITEMENT / FINISH: NA | | | | |
| MATIERE / MATERIAL: NA | | | | |
| NIVEAU DU CERTIFICAT DE SOUMISSION REQUIS / SAMPLES APPROVAL PROCESS REPORT: X | | | DIMENSIONS AND TOLERANCES IN MILLIMETERS | |
| DESIGNATION: EPDU MO 0U (C20 16A 1P)20XC13.4XC19 | | | SK-49519-Y1 | 00 |
| COTES A CONTROLER / INSPECTION DIMENSIONS: XX.XX | | COTES FONCTIONNELLES / FUNCTIONAL DIMENSIONS: # XX.XX | | NUMERO DU PLAN / PLAN NUMBER |
| <small>Ce document est propriété de Eaton Industries Manufacturing GmbH. Duplication interdite sans autorisation. This document is Eaton Industries Manufacturing GmbH property. Duplication forbidden without authorization.</small> | | | | |