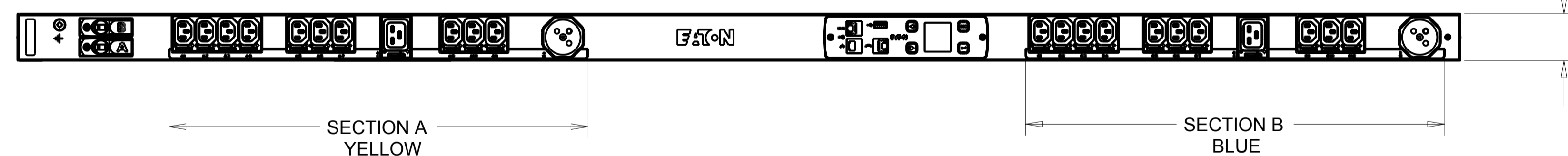
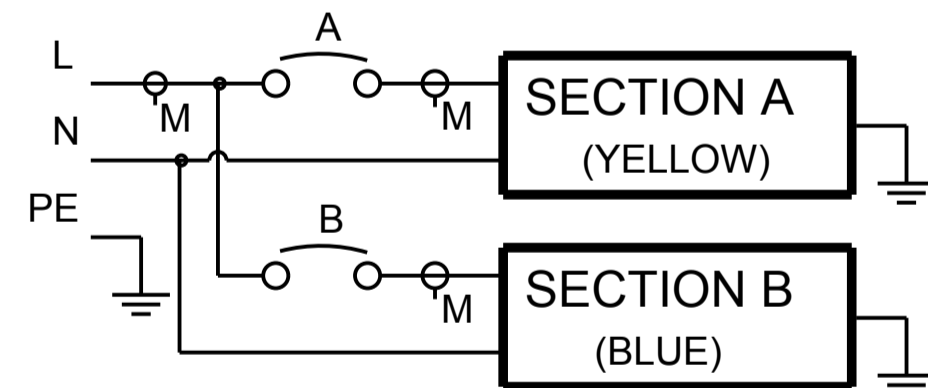


CABLE LENGTH SHOWN NOT TO SCALE

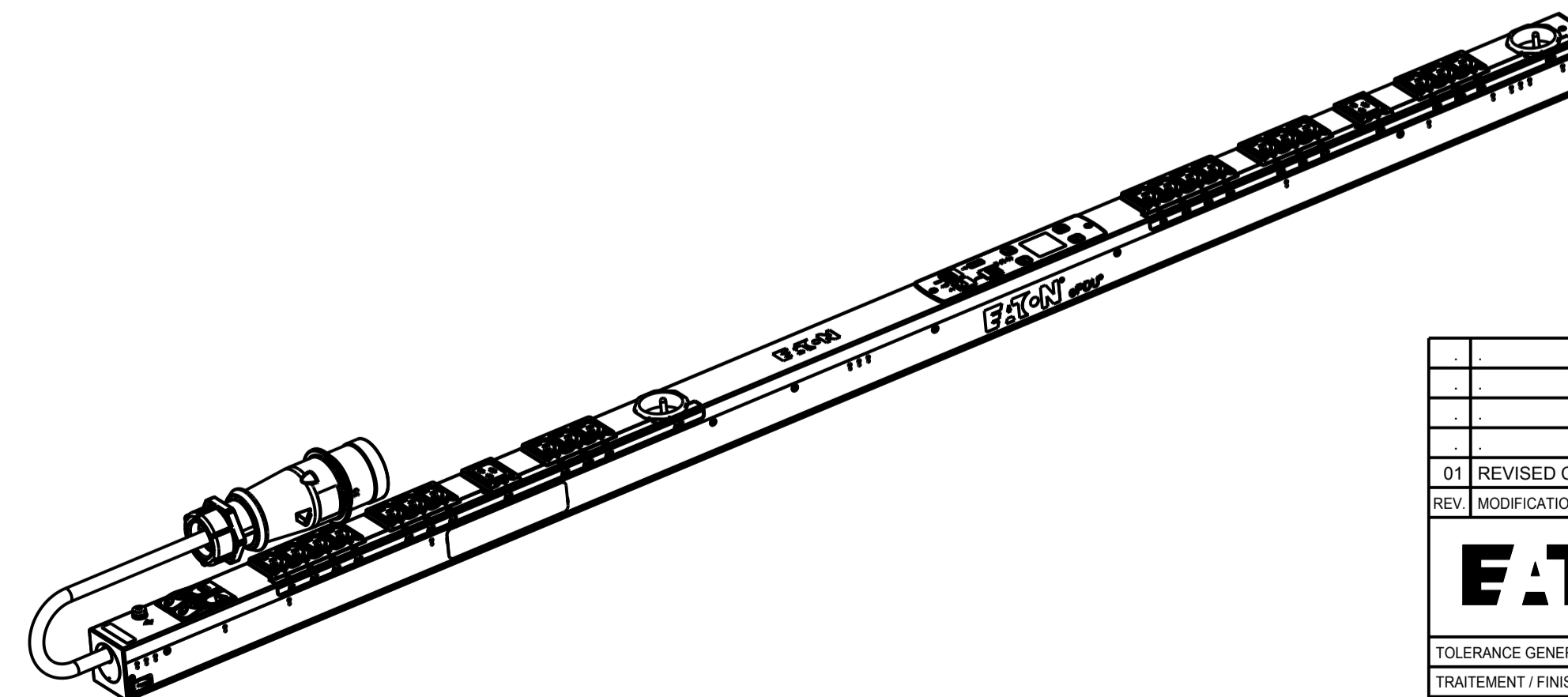


CIRCUIT SCHEMATIC



EMOB17 G3 METERED OUTLETS

FUNCTIONALITY	INPUT	OUTPUT	ENVIRONMENTAL
CURRENT POWER AND ENERGY METERING FOR INPUT, BRANCH AND OUTLETS.	IEC 60309-2 32A 230V~ W+N+PE 4.0MM HO7 POWER CORD CABLE LENGTH: 3.0M	(20) IEC 60320 C13 GRIP (2) IEC 60320 C19 GRIP (2) CEE 7/5 FR	0 TO 60 °C
MECHANICAL	INPUT RATING	OUTPUT RATING	CERTIFICATIONS
LENGTH: 1604MM WIDTH: 52 MM DEPTH: 53MM ALUMINIUM CHASSIS, BLACK MNT PATTERN SK-23919-Y1	1Ø; 200-240V~;W+N+PE 50/60HZ 32A	200-240V~;50/60HZ 10A PER C13;16A PER C19; 16A PER FR 16A MAX PER SECTION 32A MAX TOTAL	CE, CB
CIRCUIT BREAKERS	FILTER AND SPIKE/SURGE	ACCESSORIES	CONFIGURATION
(2) 16A 1-POLE	NONE	STANDARD KSP015 - VERT INSTALL NETWORK PACK OPTIONAL EMP001 - ENVIRONMENTAL PROBE	EMO6CH8FBQB77AM



PICTORIAL VIEW
SCALE 0.188

01 REVISED CONFIGURATION CODE.		10.04.2015	G.McD.	M.B.
REV. MODIFICATION	DATE	DESIGNER	VERIF.	
EATON HEINEMANN PRODUCTS		VUE/VIEW EUROPE	ECHELLE / SCALE 4/10	N° MAG EMOB17
CH-1345 LE LIEU SWITZERLAND		DESSINE LE / DRAWED THE 12.08.2014		PAR / BY G.McD.
TOLERANCE GENERALE / GENERAL TOLERANCE		VERIFIE PAR / VERIFIED BY M.B.		
TRAITEMENT / FINISH NA				
MATIERE / MATERIAL NA				
NIVEAU DU CERTIFICAT DE SOUMISSION REQUIS / SAMPLES APPROVAL PROCESS REPORT X		DIMENSIONS AND TOLERANCES IN MILLIMETERS		
DESIGNATION EPDU MO 0U (309 32A 1P)20XC13:2XC19:2XFR	SK-50419-Y1	01		
COTES A CONTROLER / INSPECTION DIMENSIONS XX.XX	COTES FONCTIONNELLES / FUNCTIONAL DIMENSIONS # XX.XX	NUMERO DU PLAN / PLAN NUMBER		
Ce document est propriété de Eaton Industries Manufacturing GmbH. Duplication interdite sans autorisation. This document is Eaton Industries Manufacturing GmbH property. Duplication forbidden without authorization.				