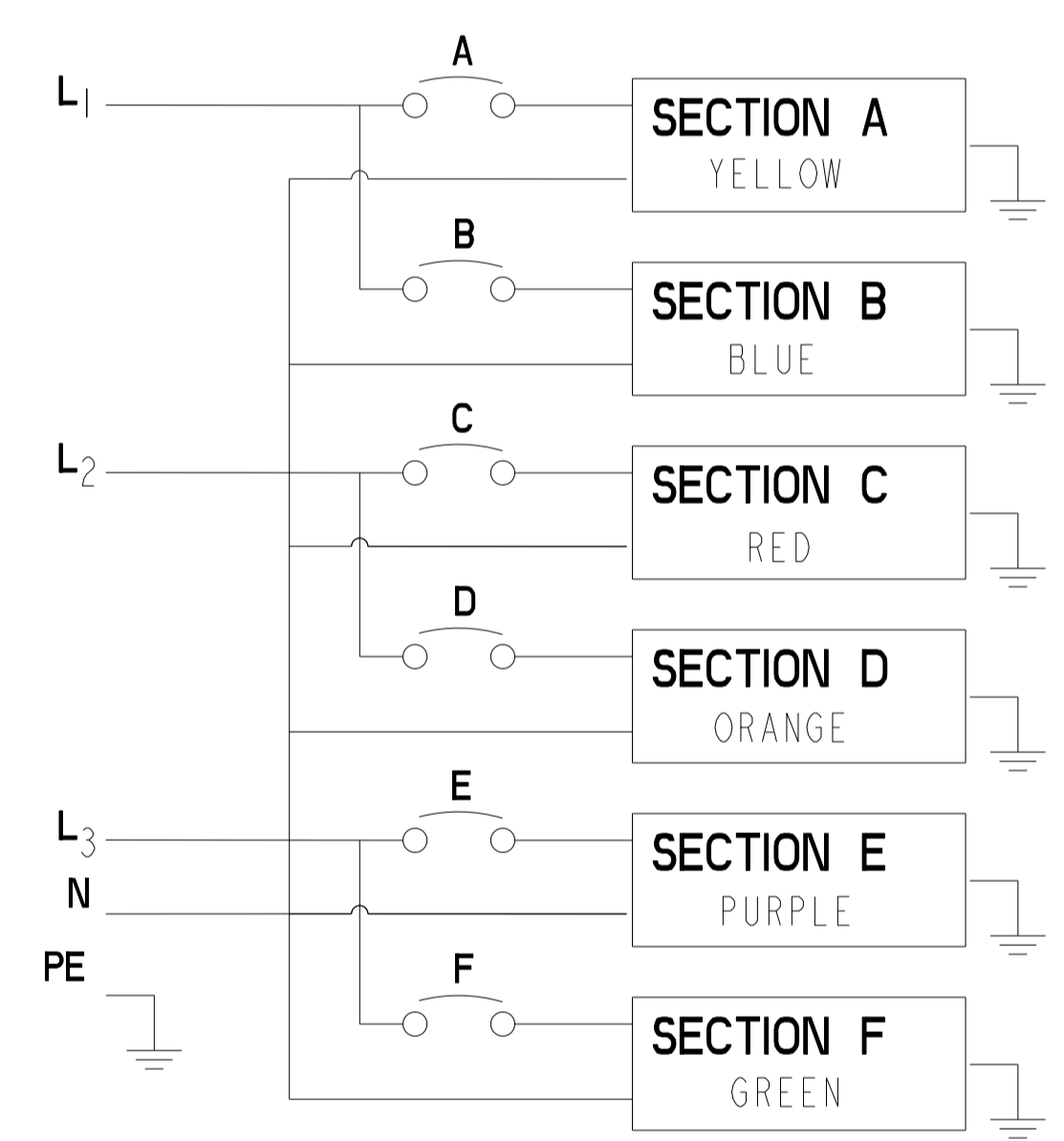
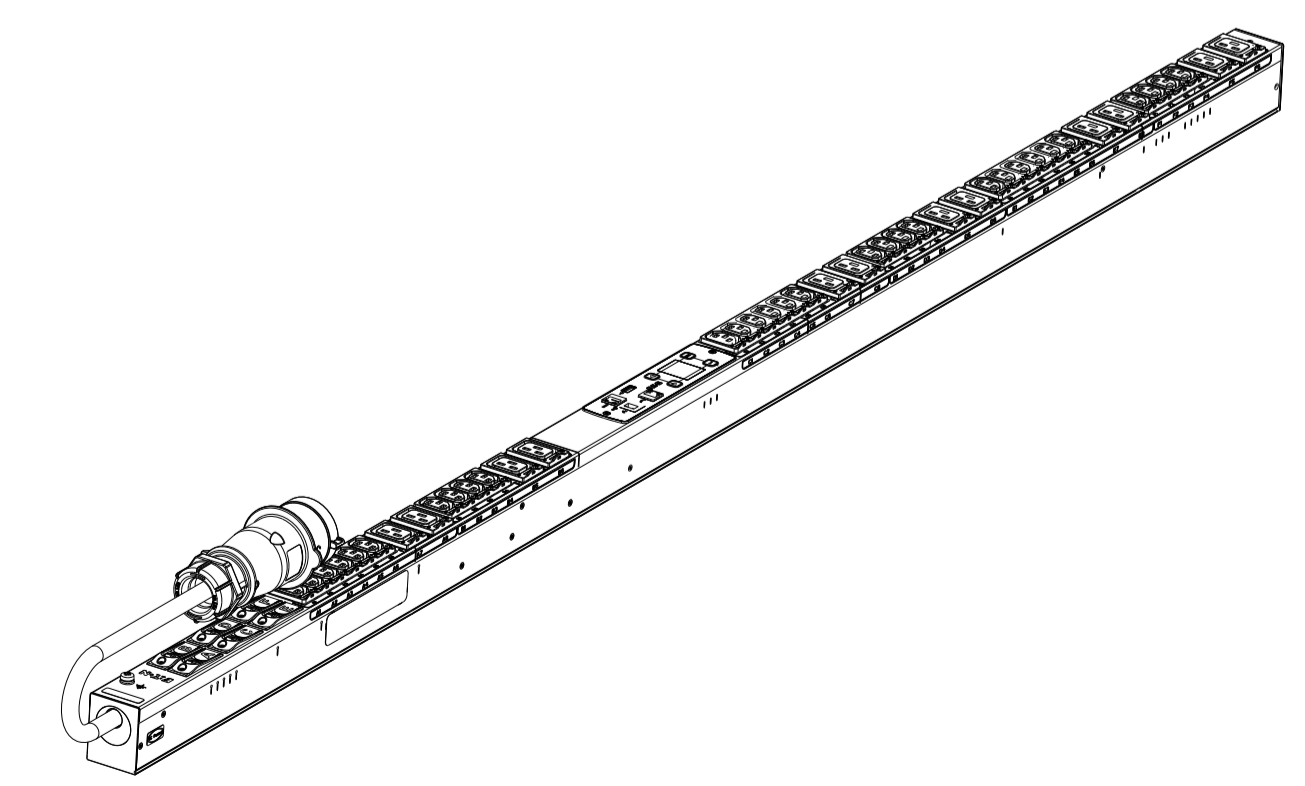


CIRCUIT SCHEMATIC



EMIB34 G3 METERED INPUT

FUNCTIONALITY	INPUT	OUTPUT	ENVIRONMENTAL
CURRENT POWER AND ENERGY METERING FOR INPUT AND BRANCH	3Ø; 346-415V~; WYE, 3W+N+PE 50/60Hz 32A	(30) IEC 60320 C13 GRIP (12) IEC 60320 C19 GRIP	0 TO 60°C
MECHANICAL	INPUT RATING	OUTPUT RATING	CERTIFICATIONS
LENGTH: 1829MM WIDTH: 52 MM DEPTH: 65MM ALUMINIUM CHASSIS, BLACK MNT PATTERN SK-23919-Y1	IEC 60309-2 32A 400V~ WYE, 3W+N+PE 4.0MM HO7 POWER CORD CABLE LENGTH: 3.0M	200-240V~; 50/60Hz 10A PER C13; 16A PER C19 16A MAX PER SECTION 32A MAX TOTAL	CE, CB
CIRCUIT BREAKERS	FILTER AND SPIKE/SURGE	ACCESSORIES	CONFIGURATION
(6) 16A 1-POLE	NONE	STANDARD KSP015 - VERT INSTALLATION PACK OPTIONAL EMPO01 - ENVIRONMENTAL PROBE	EM13DH8FBJV8BAM



PICTORIAL VIEW
SCALE 0.150

00 INITIAL RELEASE	02.07.2014	RA	MB
REV. MODIFICATION	DATE	DESS/DRAW	VERIF.
EATON HEINEMANN PRODUCTS CH-1345 LE LIEU SWITZERLAND		VUE/VIEW 1ST ANGLE	ECHELLE / SCALE 3/10
TOLERANCE GENERALE / GENERAL TOLERANCE ±0.1 ±0.5* TRAITEMENT / FINISH N/A MATIERE / MATERIAL N/A		DESSINE LE / DRAWN THE PAR / BY RA	N° MAG EMIB34
NIVEAU DU CERTIFICAT DE SOUMISSION REQUIS / SAMPLES APPROVAL PROCESS REPORT N/A DIMENSIONS AND TOLERANCES IN MILLIMETERS			
DESIGNATION EPDU MI DU (309 32A 3P130XC13:12XC19)		SK-37919-Y1 00	
COTES A CONTROLER INSPECTION DIMENSIONS	XX.XX	COTES FONCTIONNELLES FUNCTIONAL DIMENSIONS	# XX.XX
Ce document est propriété de Eaton Industries Manufacturing GmbH. Duplication interdite sans autorisation. This document is Eaton Industries Manufacturing GmbH property. Duplication forbidden without authorization.		NUMERO DU PLAN PLAN NUMBER	